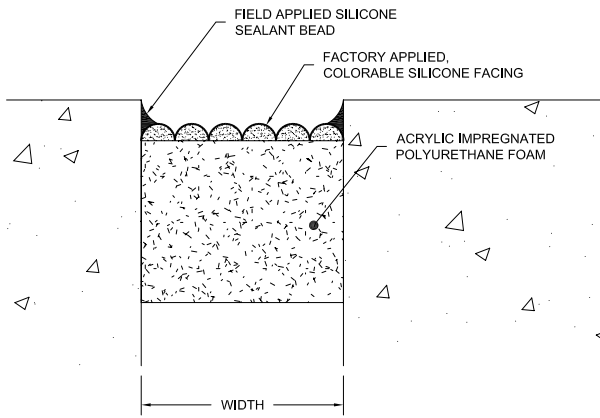


# PARKING GARAGES & OPEN AIR STRUCTURES EXTERIOR EXPANSION JOINT SYSTEMS

## BALCO COMPRESSION SEAL SYSTEM

### BCSW

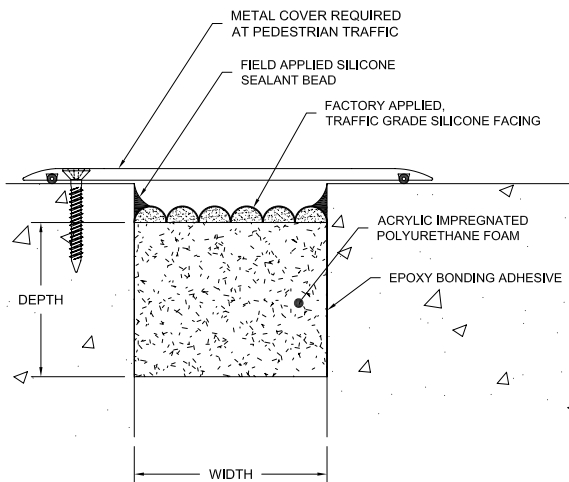


Used to fill larger vertical and horizontal movement joints where an aesthetically pleasing appearance is required or where there is seismic movement.  
Available in 13 colors.

## WALL APPLICATIONS

MODEL	Width	Depth
<b>BCSW-100</b>	1" (25mm)	1 1/2" (38mm)
<b>BCSW-125</b>	1 1/4" (32mm)	2" (51mm)
<b>BCSW-150</b>	1 1/2" (38mm)	2" (51mm)
<b>BCSW-175</b>	1 3/4" (44mm)	2" (51mm)
<b>BCSW-200</b>	2" (51mm)	3" (76mm)
<b>BCSW-225</b>	2 1/4" (57mm)	3" (76mm)
<b>BCSW-250</b>	2 1/2" (64mm)	3" (76mm)
<b>BCSW-275</b>	2 3/4" (70mm)	3" (76mm)
<b>BCSW-300</b>	3" (76mm)	3" (76mm)
<b>BCSW-325</b>	3 1/4" (83mm)	4" (102mm)
<b>BCSW-350</b>	3 1/2" (89mm)	4" (102mm)
<b>BCSW-375</b>	3 3/4" (95mm)	4" (102mm)
<b>BCSW-400</b>	4" (102mm)	4" (102mm)
<b>BCSW-500</b>	5" (127mm)	4" (102mm)
<b>BCSW-600</b>	6" (152mm)	4" (102mm)

### BCFS-SL



Best Suited for installation on exposed top slab decks and intermediate slabs of multi-level garages.  
Available in Gray only.

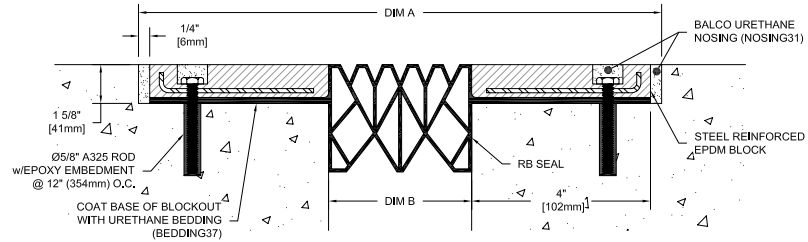
## FLOOR APPLICATIONS

MODEL	Width	Depth
<b>BCSF-SL-050</b>	1/2" (13mm)	1 1/2" (38mm)
<b>BCSF-SL-062</b>	5/8" (16mm)	1 1/2" (38mm)
<b>BCSF-SL-075</b>	3/4" (19mm)	1 1/2" (38mm)
<b>BCSF-SL-100</b>	1" (25mm)	2" (51mm)
<b>BCSF-SL-125</b>	1 1/4" (32mm)	2" (51mm)
<b>BCSF-SL-150</b>	1 1/2" (38mm)	2 1/2" (64mm)
<b>BCSF-SL-175</b>	1 3/4" (44mm)	2 1/2" (64mm)
<b>BCSF-SL-200</b>	2" (51mm)	3" (76mm)
<b>BCSF-SL-225</b>	2 1/4" (57mm)	3" (76mm)
<b>BCSF-SL-250</b>	2 1/2" (64mm)	3 1/2" (89mm)
<b>BCSF-SL-275</b>	2 3/4" (70mm)	3 1/2" (89mm)
<b>BCSF-SL-300</b>	3" (76mm)	3 1/2" (89mm)
<b>BCSF-SL-325</b>	3 1/4" (83mm)	4" (102mm)
<b>BCSF-SL-350</b>	3 1/2" (89mm)	4" (102mm)
<b>BCSF-SL-375</b>	3 3/4" (95mm)	4" (102mm)
<b>BCSF-SL-400</b>	4" (102mm)	4" (102mm)

### RUBBER BLOCK SYSTEM

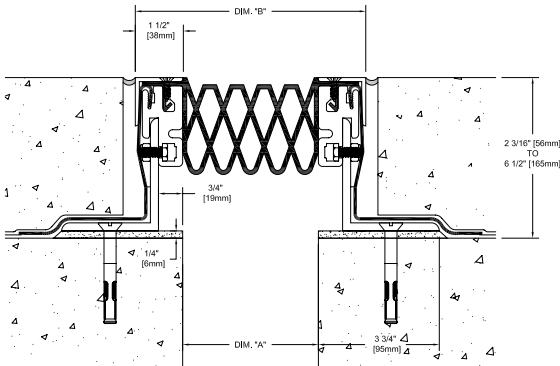
#### RB

Continuous membrane system that can withstand high-impact loadings and handle multi-directional movements.



SYSTEM TYPE	DIM A	JOINT OPENING (B)			TOTAL MOVEMENT
		NOMINAL	MIN	MAX	
<b>RB-250</b>	10" (254mm)	1 5/8" (41mm)	27/32" (21mm)	2 5/32" (55mm)	1 5/16" (33mm)
<b>RB-400</b>	11" (279mm)	1 5/8" (41mm)	1 1/4" (32mm)	3 3/4" (95mm)	2 1/2" (64mm)
<b>RB-600</b>	12 1/4" (311mm)	1 5/8" (41mm)	1 3/4" (44mm)	5 3/4" (146mm)	4" (102mm)

#### SSPD



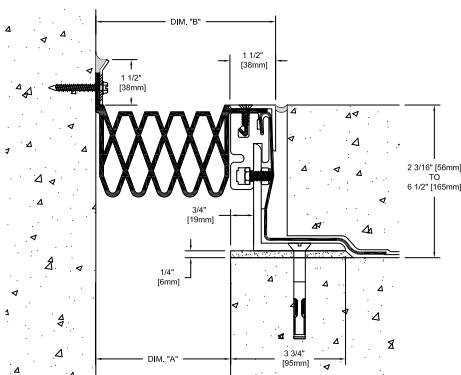
#### SSPD ALTERNATE SEAL (SSPD-400D)



MODEL	MOVEMENT	NOMINAL (A)	MIN (A)	MAX (A)	NOMINAL (B)
<b>SSPD-400</b>	2 1/2" (64mm)	2 1/2" (64mm)	1 1/2" (38mm)	4" (102mm)	5 1/2" (140mm)
<b>SSPD-400D</b>	3 1/4" (83mm)	2 1/2" (64mm)	3/4" (19mm)	4" (102mm)	5 1/2" (140mm)
<b>SSPD-600</b>	3 7/8" (98mm)	3 1/2" (89mm)	2 1/8" (54mm)	6" (152mm)	6 1/2" (165mm)
<b>SSPDL-400</b>	2 1/2" (64mm)	2 1/2" (64mm)	1 1/2" (38mm)	4" (102mm)	4" (102mm)
<b>SSPDL-400D</b>	3 1/4" (83mm)	2 1/2" (64mm)	3/4" (19mm)	4" (102mm)	4" (102mm)
<b>SSPDL-600</b>	3 7/8" (98mm)	3 1/2" (89mm)	2 1/8" (54mm)	6" (152mm)	5" (127mm)

Utilized in split slab construction. Integrates expansion joint into structural slab waterproofing membrane. System height can be varied to match surrounding finished surface. Stainless steel retainer cap can be removed to repair or replace the elastomeric seal.

#### SSPDL



#### SSPDL-E OPTIONAL ATTACHMENT

